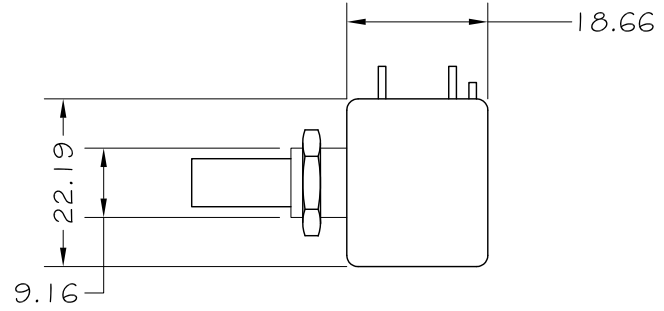
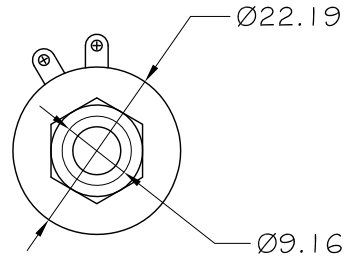
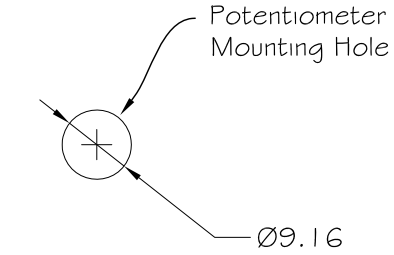


Martin J. Lorton  
 Solar Power and Electronic Measurement Equipment  
<http://www.youtube.com/user/mjlornton/videos>  
<http://mjlornton.com/wp/>

Date : 2012-11-13  
 Number : 0001.0  
 Version : a  
 Scale : 1 mm = 1 mm

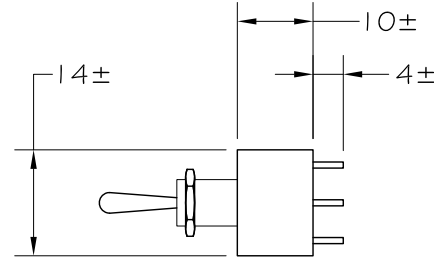
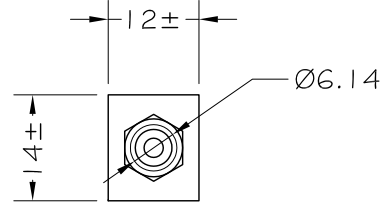
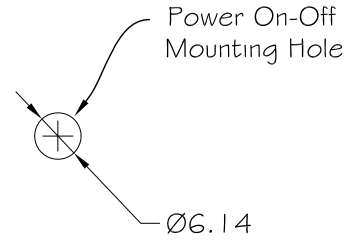
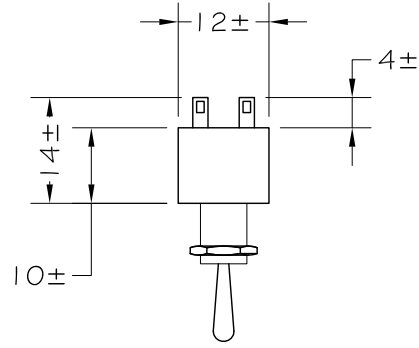
Project : Electronic DC Load  
 Drawing : Meter  
 Summary : Dimensions  
 File : Electronic DC Load.dwg

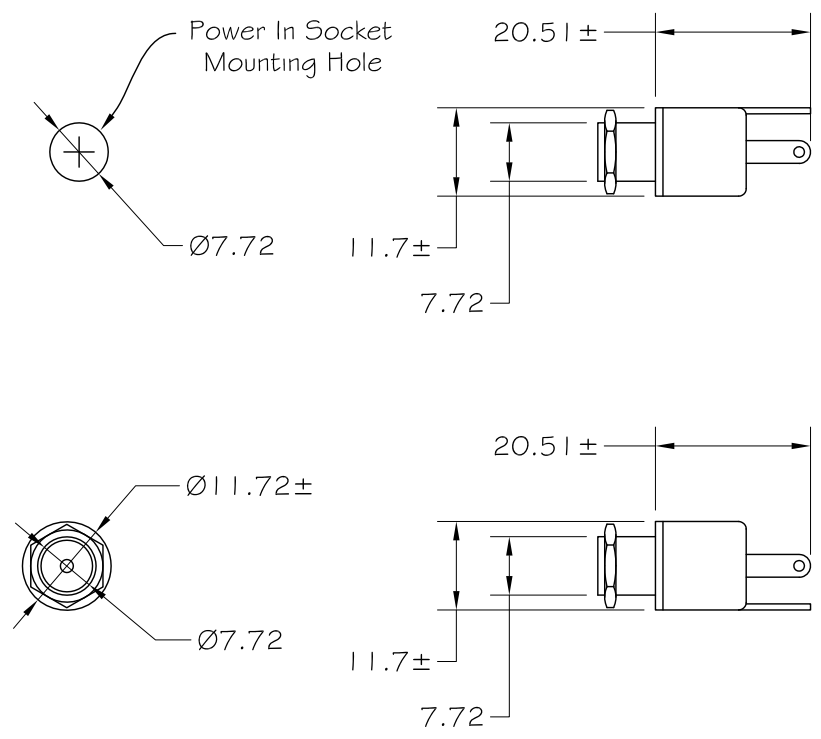


Martin J. Lorton  
 Solar Power and Electronic Measurement Equipment  
<http://www.youtube.com/user/mjlornton/videos>  
<http://mjlornton.com/wp/>

Project : Electronic DC Load  
 Drawing : Potentiometer  
 Summary : Dimensions  
 File : Electronic DC Load.dwg

Date : 2012-11-13  
 Number : 0001.0  
 Version : a  
 Scale : 1 mm = 1 mm

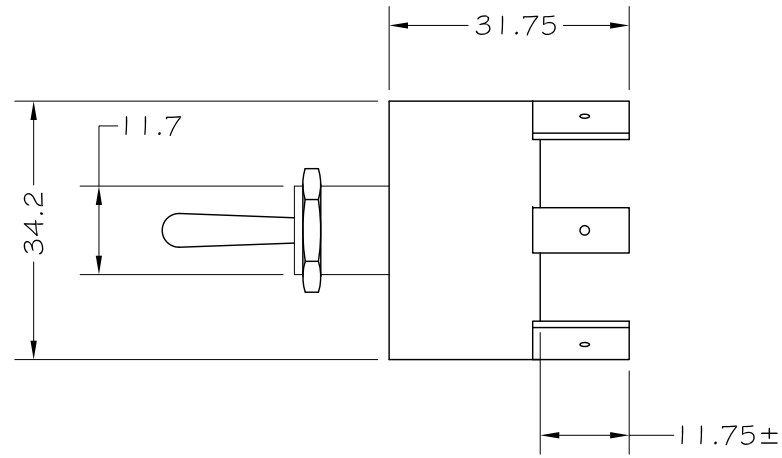
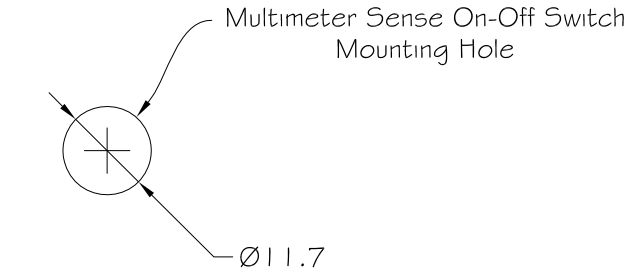
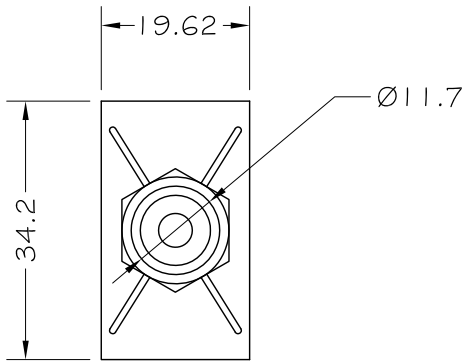
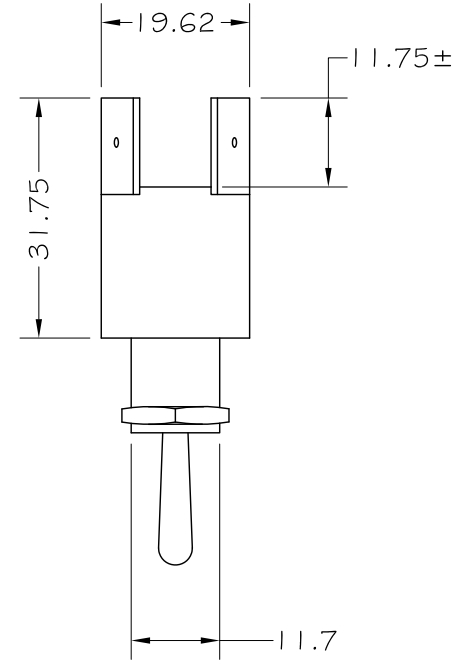


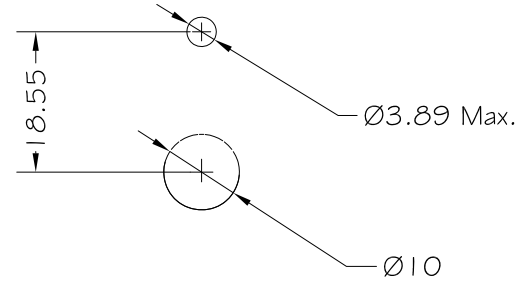
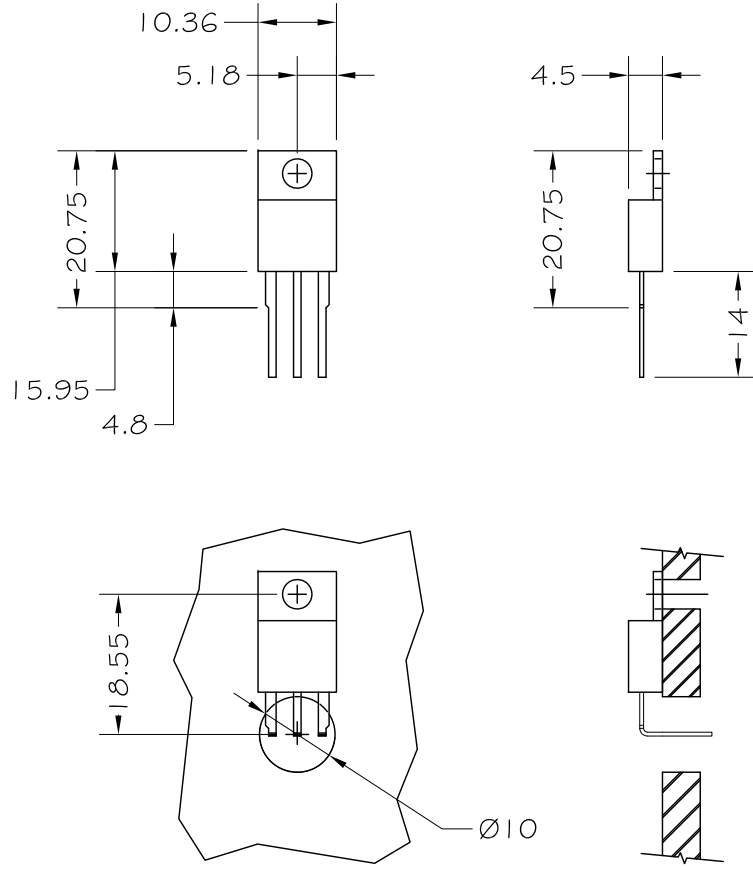


Martin J. Lorton  
 Solar Power and Electronic Measurement Equipment  
<http://www.youtube.com/user/mjlornton/videos>  
<http://mjlornton.com/wp/>

Date : 2012-11-13  
 Number : 0001.0  
 Version : a  
 Scale : 1 mm = 1 mm

Project : Electronic DC Load  
 Drawing : Power In Socket  
 Summary : Dimensions  
 File : Electronic DC Load.dwg

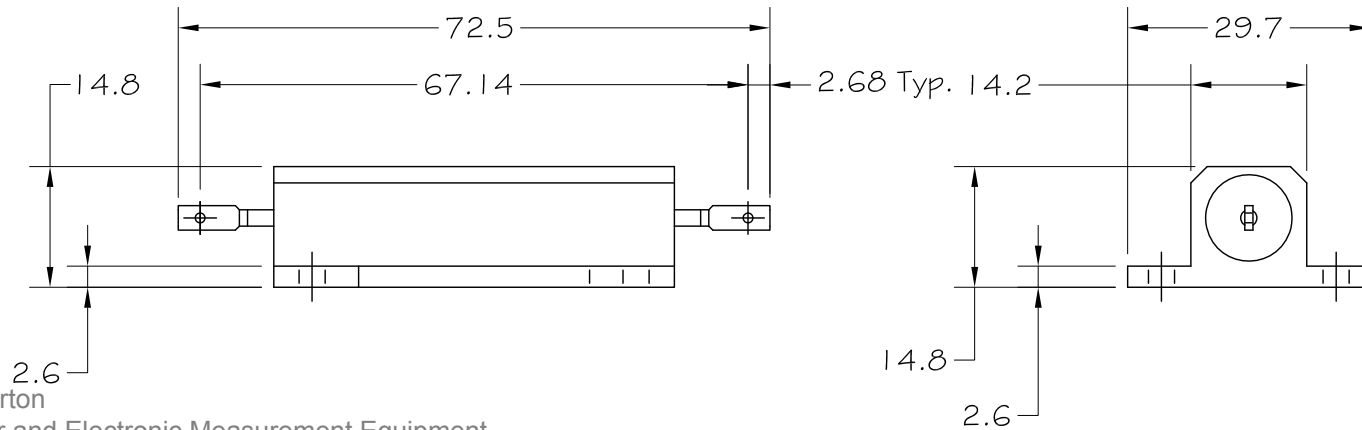
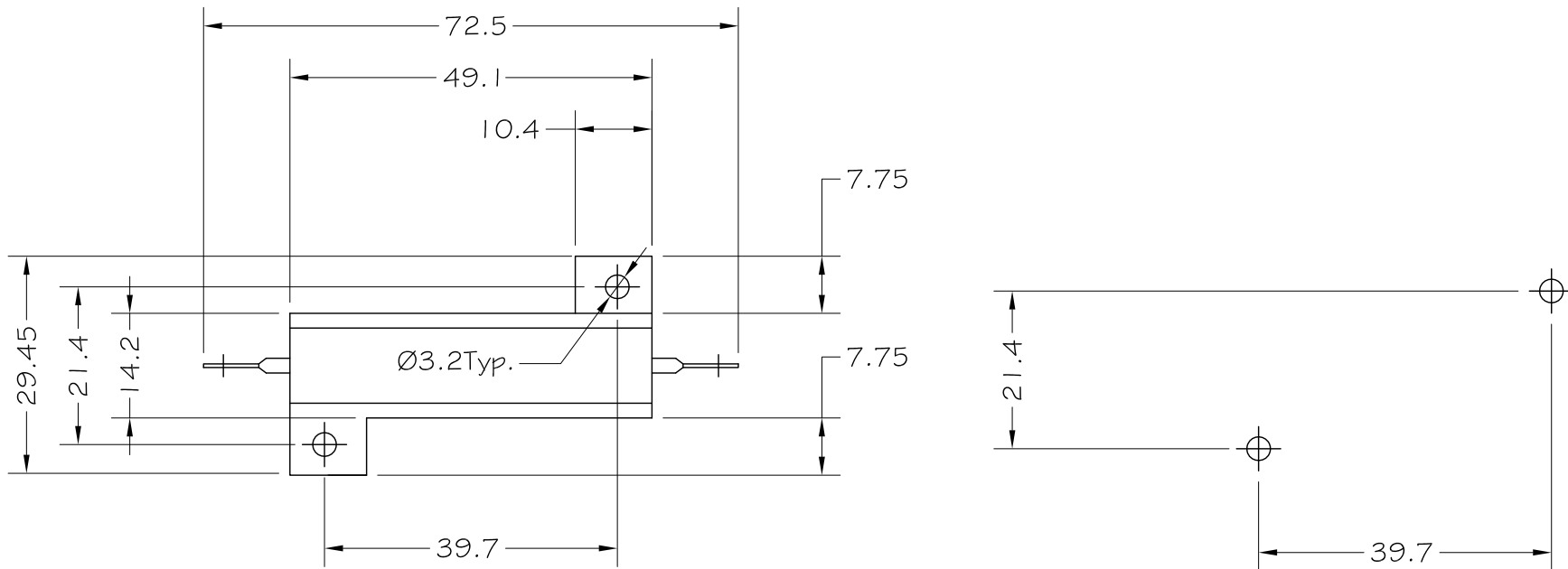




Martin J. Lorton  
 Solar Power and Electronic Measurement Equipment  
<http://www.youtube.com/user/mjlornton/videos>  
<http://mjlornton.com/wp/>

Project : Electronic DC Load  
 Drawing : FET (Simplified Drawing)  
 Summary : Dimensions  
 File : Electronic DC Load.dwg

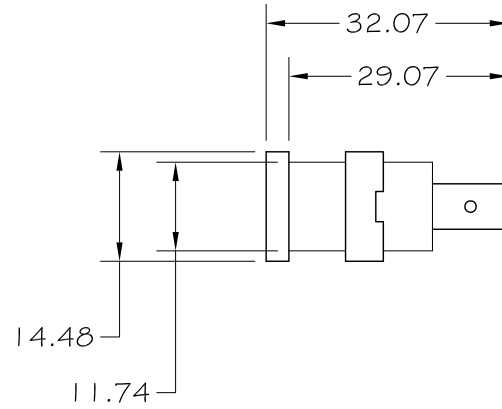
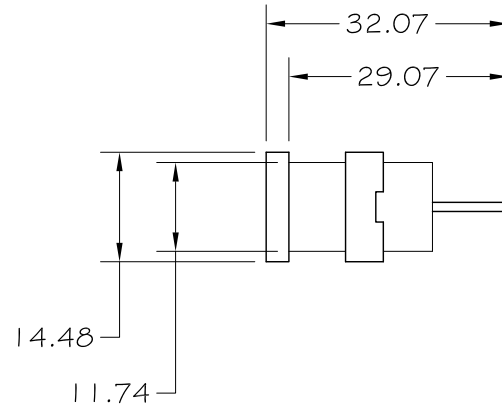
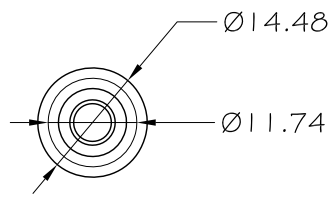
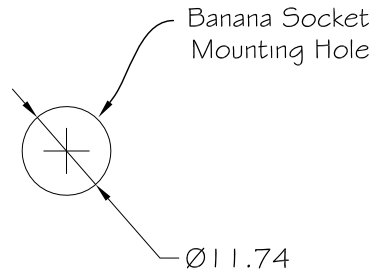
Date : 2012-11-13  
 Number : 0001.0  
 Version : a  
 Scale : 1 mm = 1 mm



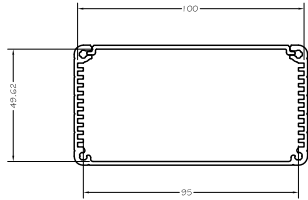
Martin J. Lorton  
 Solar Power and Electronic Measurement Equipment  
<http://www.youtube.com/user/mjlornton/videos>  
<http://mjlornton.com/wp/>

Date : 2012-11-13  
 Number : 0001.0  
 Version : a  
 Scale : 1 mm = 1 mm

Project : Electronic DC Load  
 Drawing : Power Resistor  
 Summary : Dimensions  
 File : Electronic DC Load.dwg



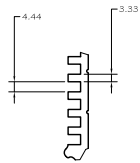
### Extrusion



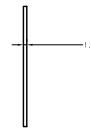
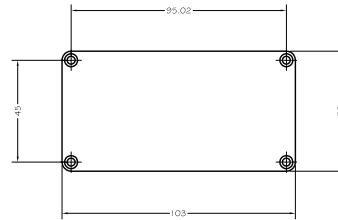
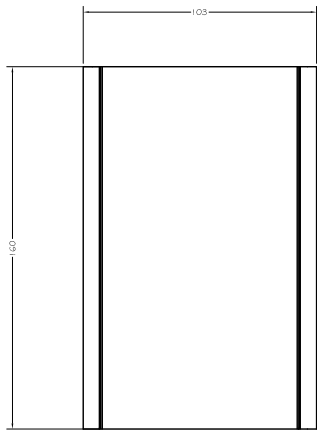
EXTRUSION DESIGNED FOR 100MM WIDE PC BOARD



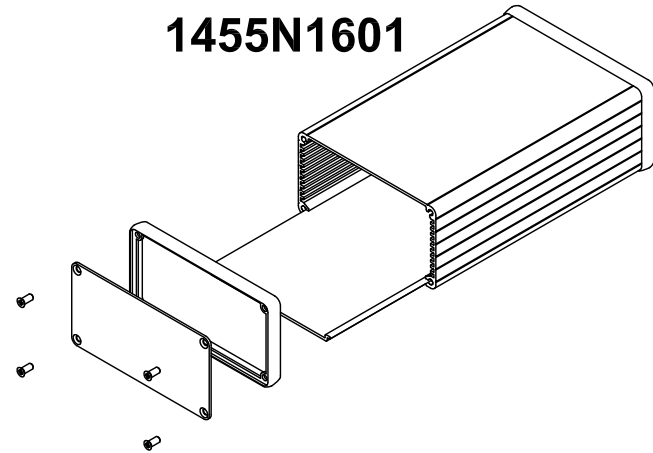
### Slot Details



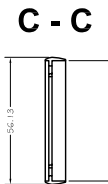
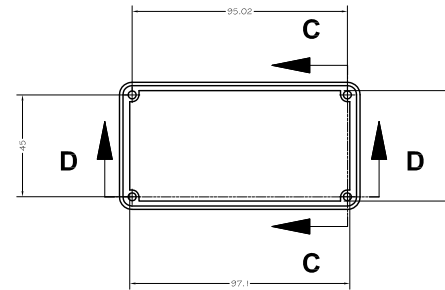
### End Plate



## 1455N1601



### Open Bezel



### D - D



Martin J. Lorton  
 Solar Power and Electronic Measurement Equipment  
<http://www.youtube.com/user/mjlornton/videos>  
<http://mjlornton.com/wp/>

Date : 2012-11-13  
 Number : 0001.0  
 Version : a  
 Scale : 1 mm = 4 mm

Project : Electronic DC Load  
 Drawing : Enclosure  
 Summary : Hammond Manufacturing 1455N1601 Drawing  
 File : Electronic DC Load.dwg