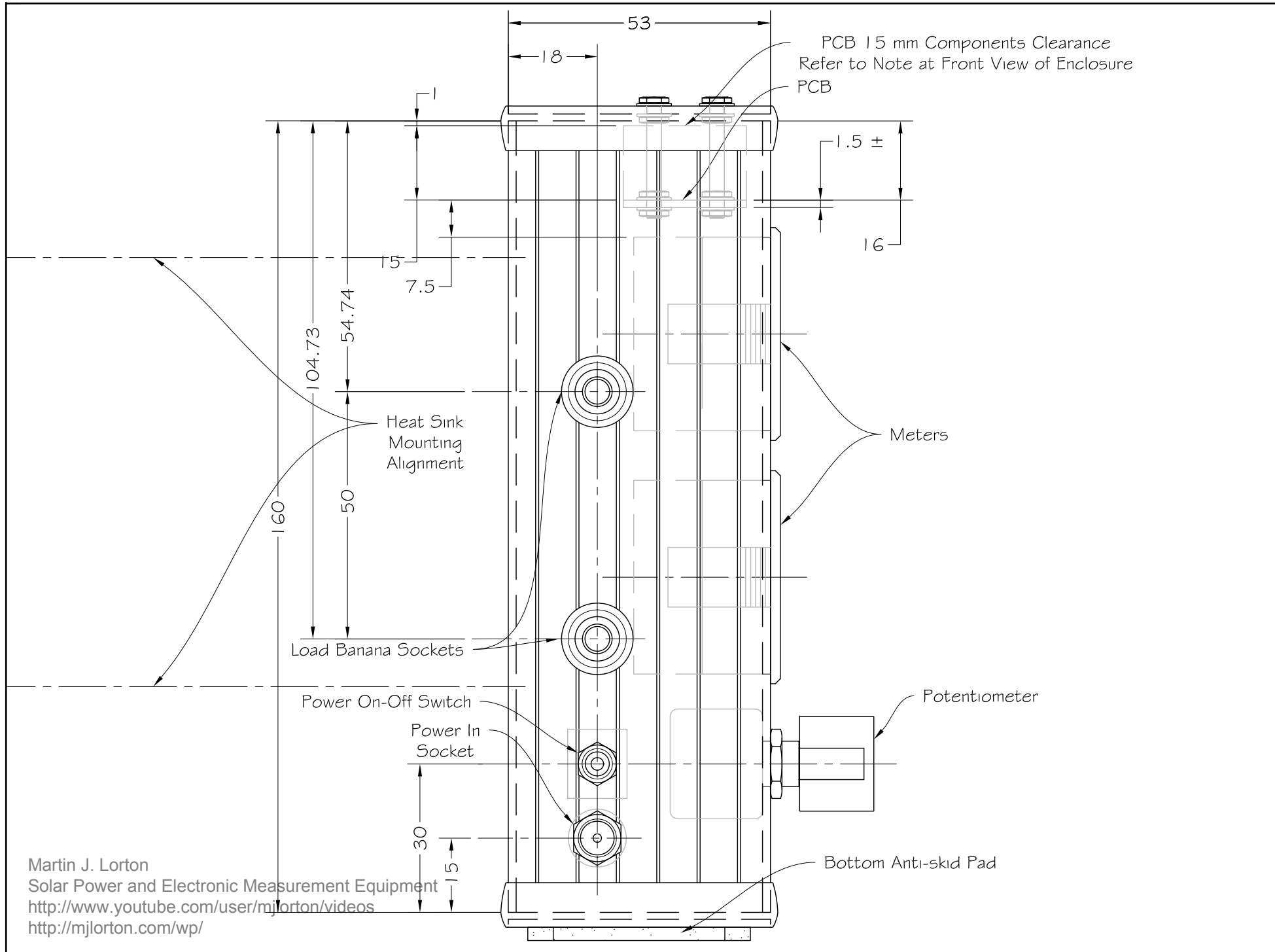


Martin J. Lorton
Solar Power and Electronic Measurement Equipment
<http://www.youtube.com/user/mjlorton/videos>
<http://mjlorton.com/wp/>

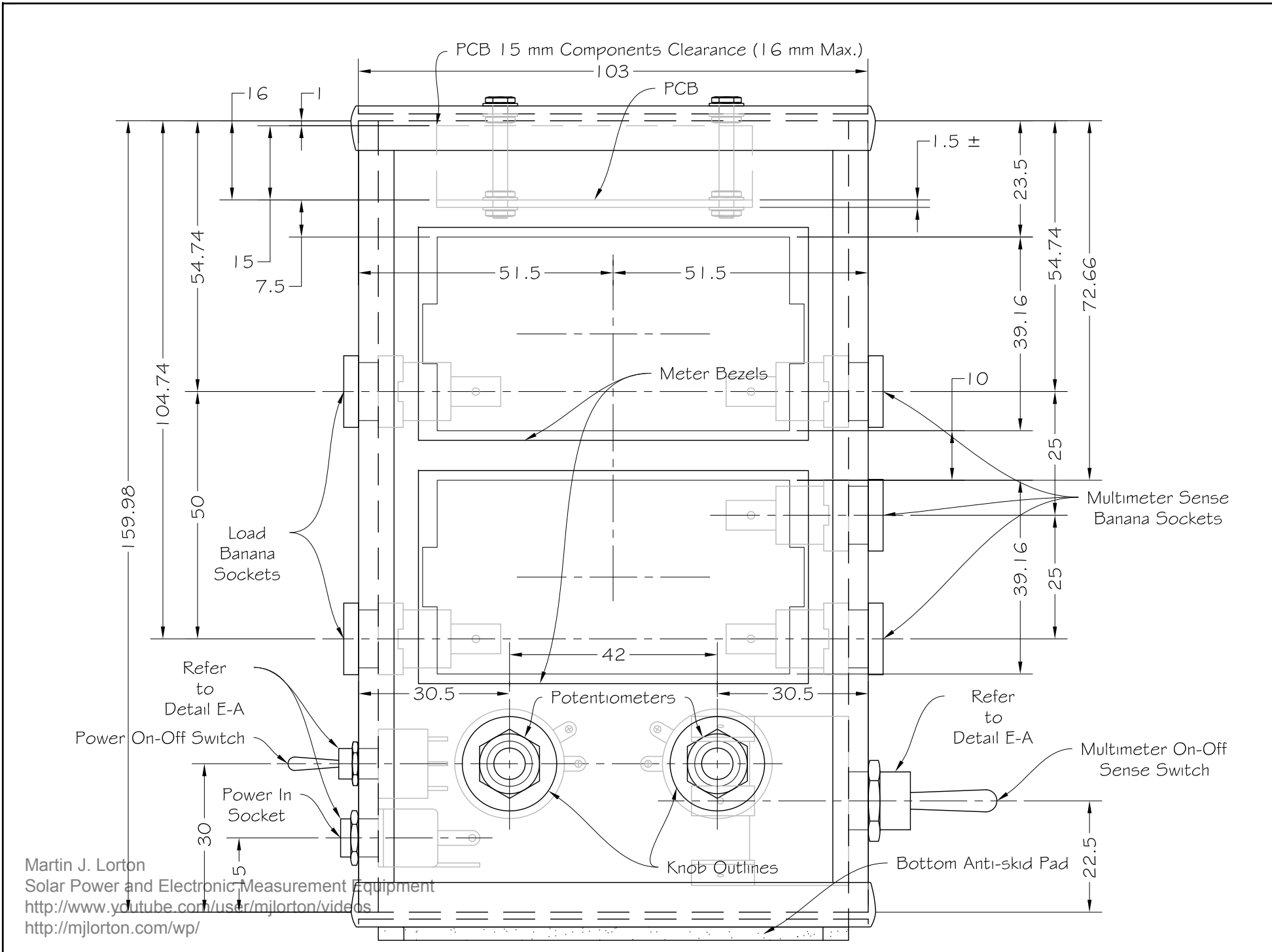
Date : 2012-11-13
Number : 0001.0
Version : a
Scale : 1 mm = 1 mm

Project : Electronic DC Load
Drawing : Heat Sink
Summary : Left Side
File : Electronic DC Load.dwg



Martin J. Lorton
 Solar Power and Electronic Measurement Equipment
<http://www.youtube.com/user/mjlornton/videos>
<http://mjlornton.com/wp/>

Project : Electronic DC Load
 Drawing : Enclosure - Left Side
 Summary : Details
 File : Electronic DC Load.dwg
 Date : 2012-11-13
 Number : 0001.0
 Version : b
 Scale : 1 mm = 1 mm

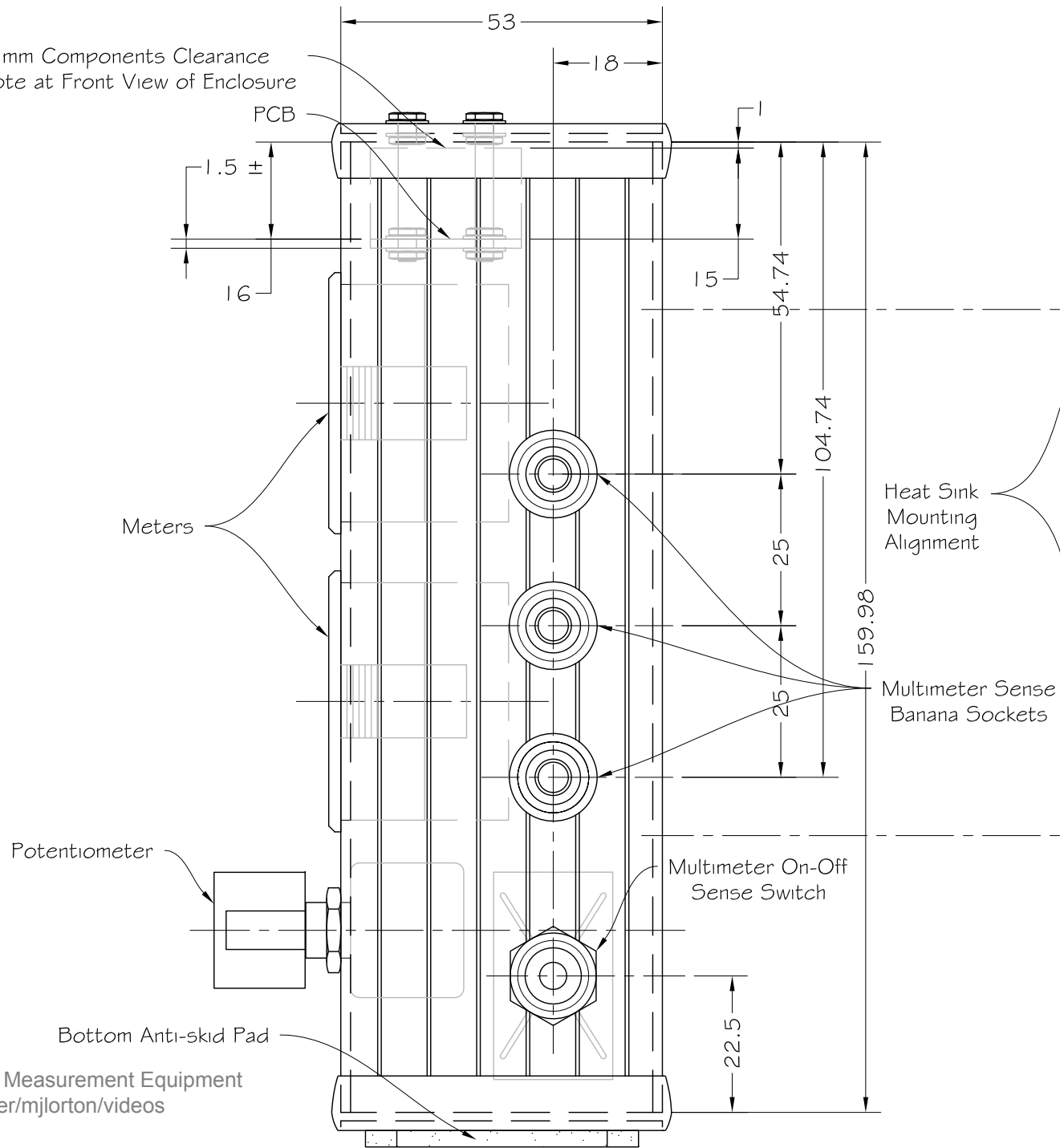


Martin J. Lorton
 Solar Power and Electronic Measurement Equipment
<http://www.youtube.com/user/mjlorton/videos>
<http://mjlorton.com/wp/>

Date : 2012-11-13
 Number : 0001.0
 Version : b
 Scale : 1 mm = 1 mm

Project : Electronic DC Load
 Drawing : Enclosure - Front
 Summary : Details
 File : Electronic DC Load.dwg

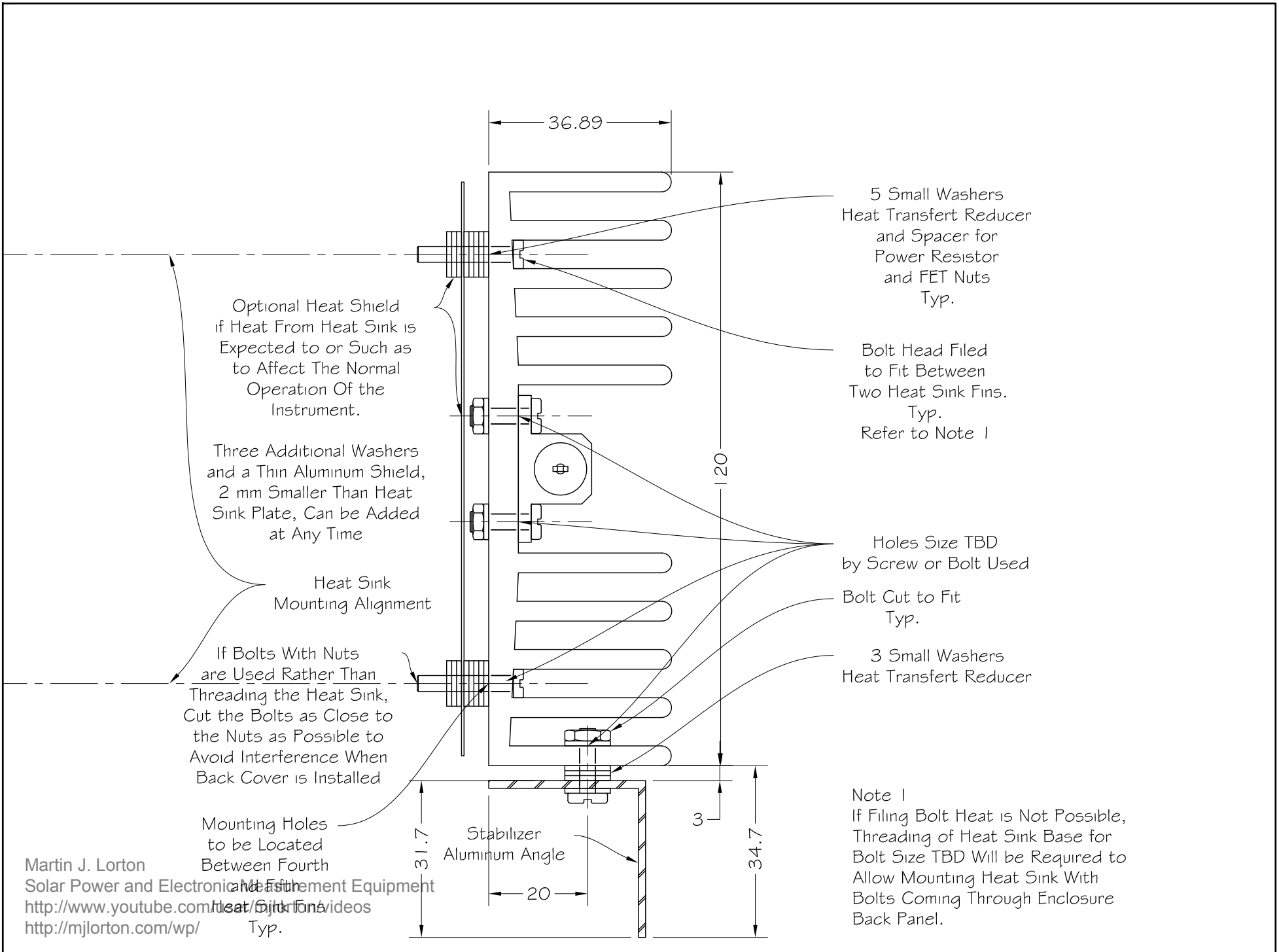
PCB 15 mm Components Clearance
Refer to Note at Front View of Enclosure



Martin J. Lorton
Solar Power and Electronic Measurement Equipment
<http://www.youtube.com/user/mjlornton/videos>
<http://mjlornton.com/wp/>

Date : 2012-11-13
Number : 0001.0
Version : b
Scale : 1 mm = 1 mm

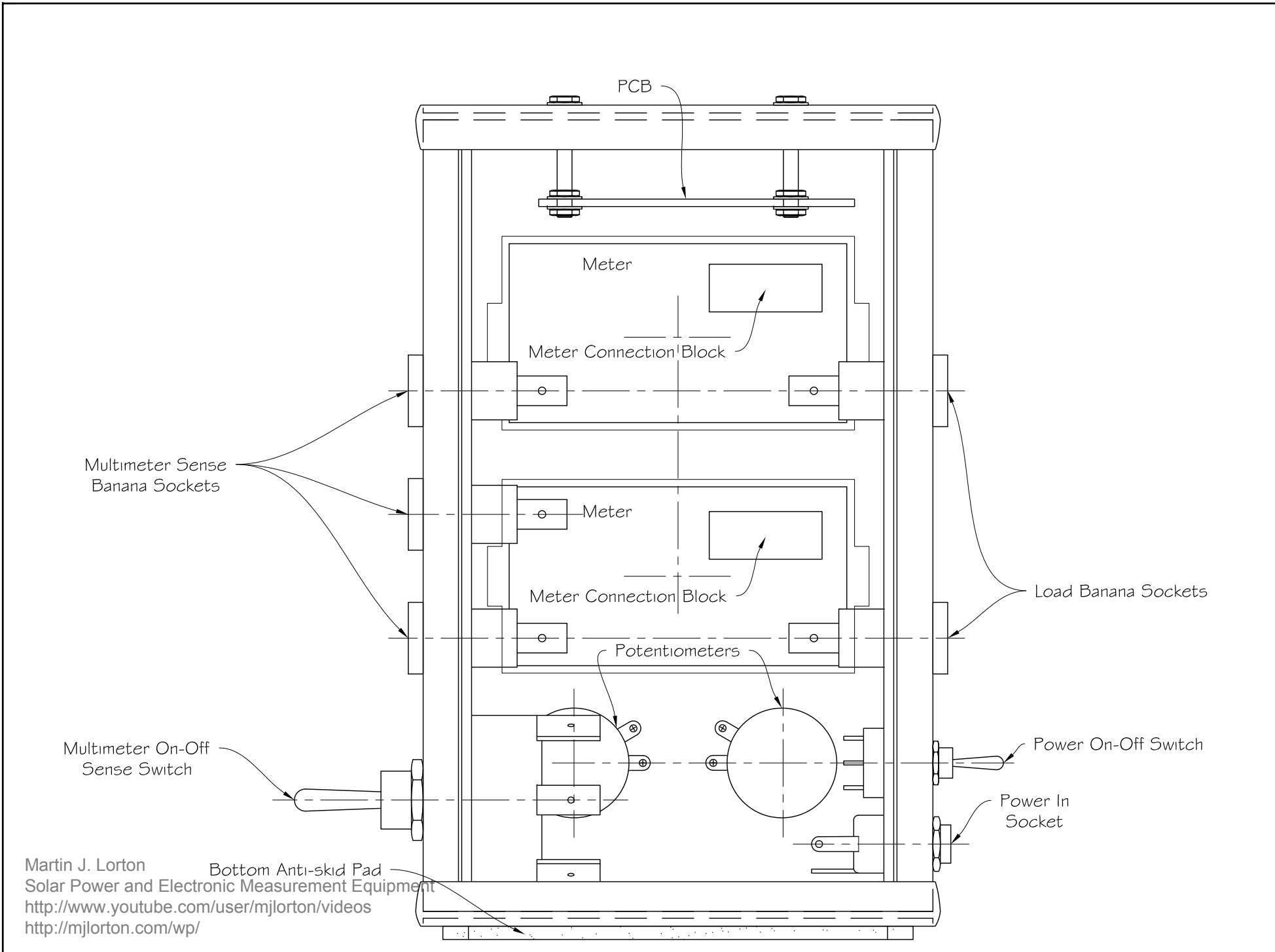
Project : Electronic DC Load
Drawing : Enclosure - Right Side
Summary : Details
File : Electronic DC Load.dwg



Martin J. Lorton
 Solar Power and Electronic Measurement Equipment
<http://www.youtube.com/user/mjlorton>
<http://mjlorton.com/wp/>

Date : 2012-11-13
 Number : 0001.0
 Version : a
 Scale : 1 mm = 1 mm

Project : Electronic DC Load
 Drawing : Heat Sink
 Summary : Right Side
 File : Electronic DC Load.dwg

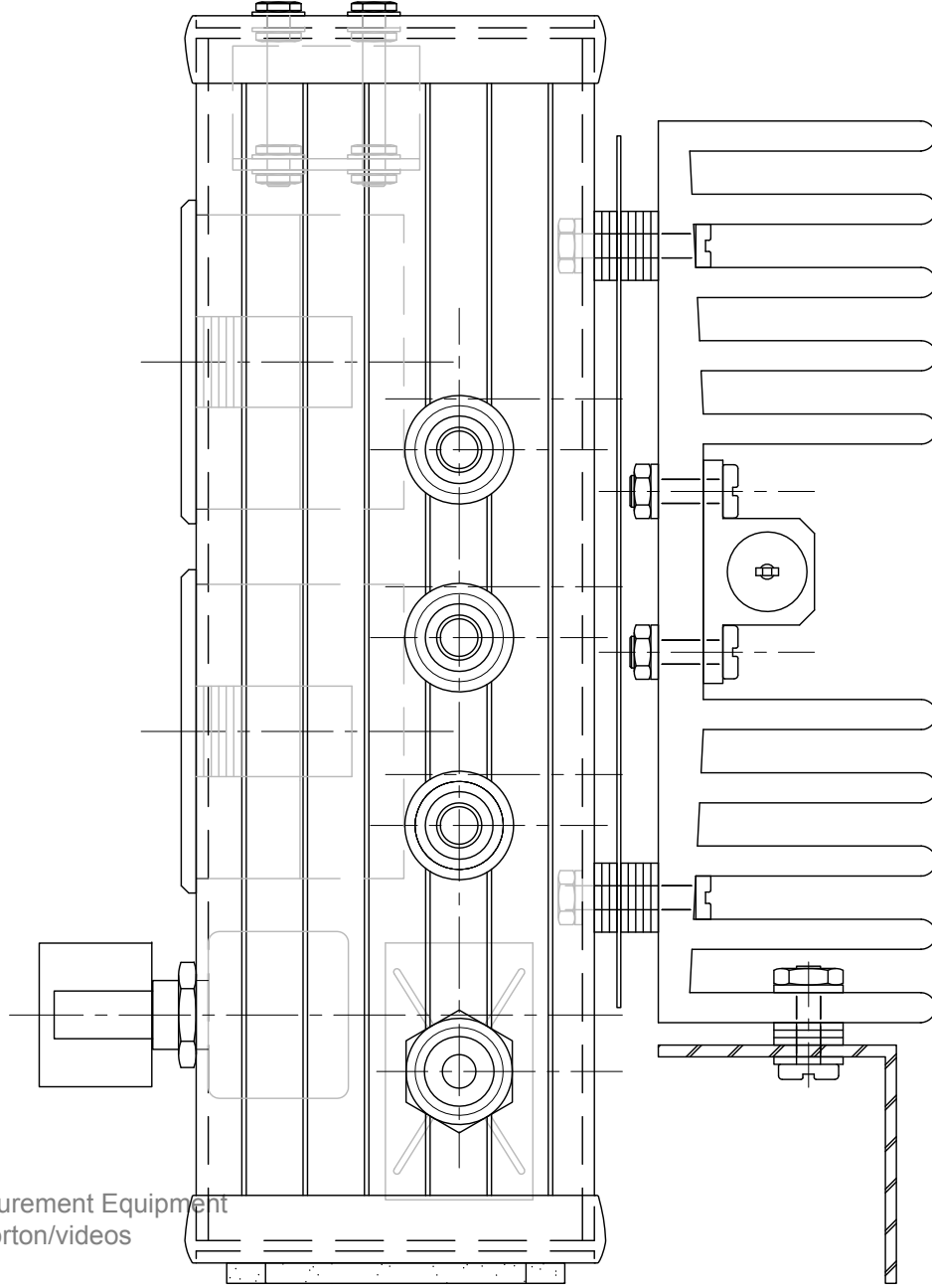


Martin J. Lorton
 Solar Power and Electronic Measurement Equipment
<http://www.youtube.com/user/mjlorton/videos>
<http://mjlorton.com/wp/>

Date : 2012-11-13
 Number : 0001.0
 Version : b
 Scale : 1 mm = 1 mm

Project : Electronic DC Load
 Drawing : Enclosure - Inside from Back
 Summary : Details
 File : Electronic DC Load.dwg

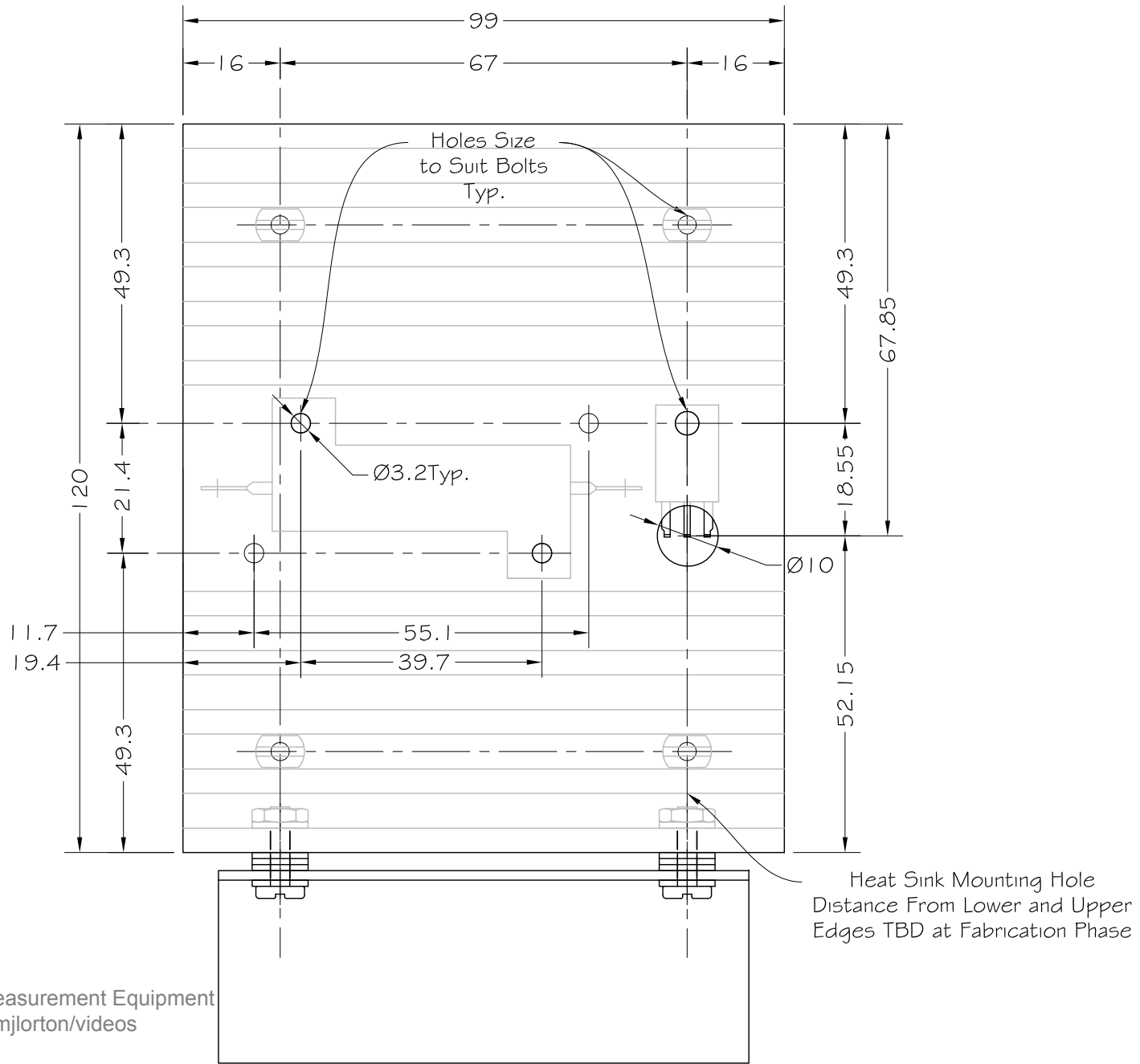
Martin J. Lorton
Solar Power and Electronic Measurement Equipment
<http://www.youtube.com/user/mjlorton/videos>
<http://mjlorton.com/wp/>



Project : Electronic DC Load
Drawing : Enclosure With Heat Sink - Right Side
Summary : Left Side
File : Electronic DC Load.dwg

Date : 2012-11-13
Number : 0001.0
Version : b
Scale : 1 mm = 1 mm

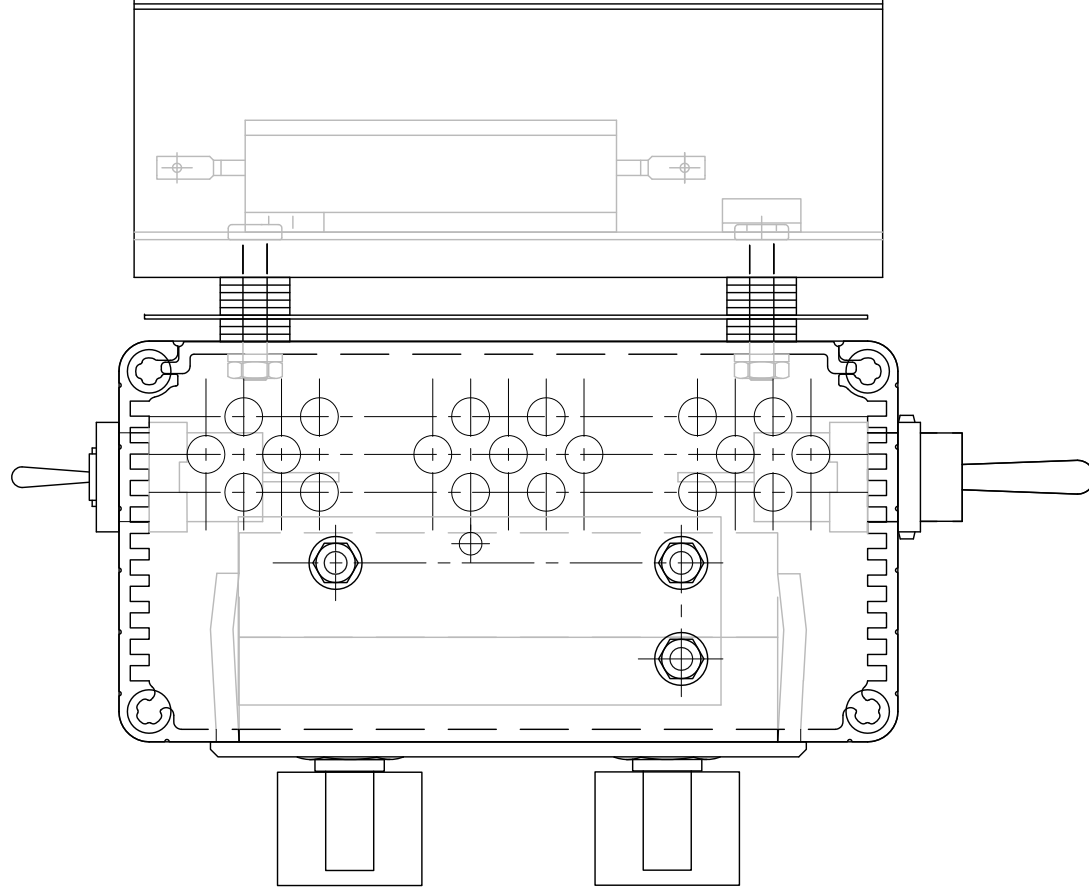
Heat Sink (Reversed)



Martin J. Lorton
 Solar Power and Electronic Measurement Equipment
<http://www.youtube.com/user/mjlorton/videos>
<http://mjlorton.com/wp/>

Date : 2012-11-13
 Number : 0001.0
 Version : a
 Scale : 1 mm = 1 mm

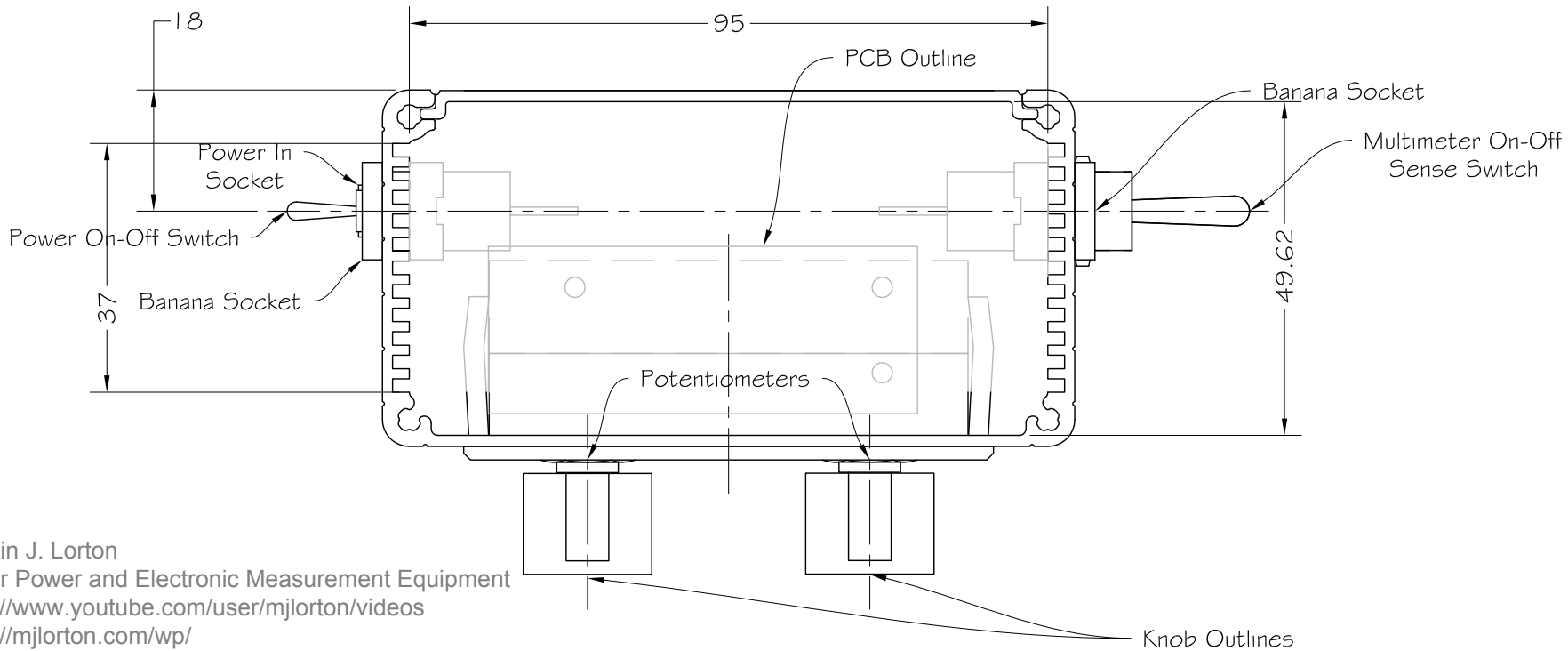
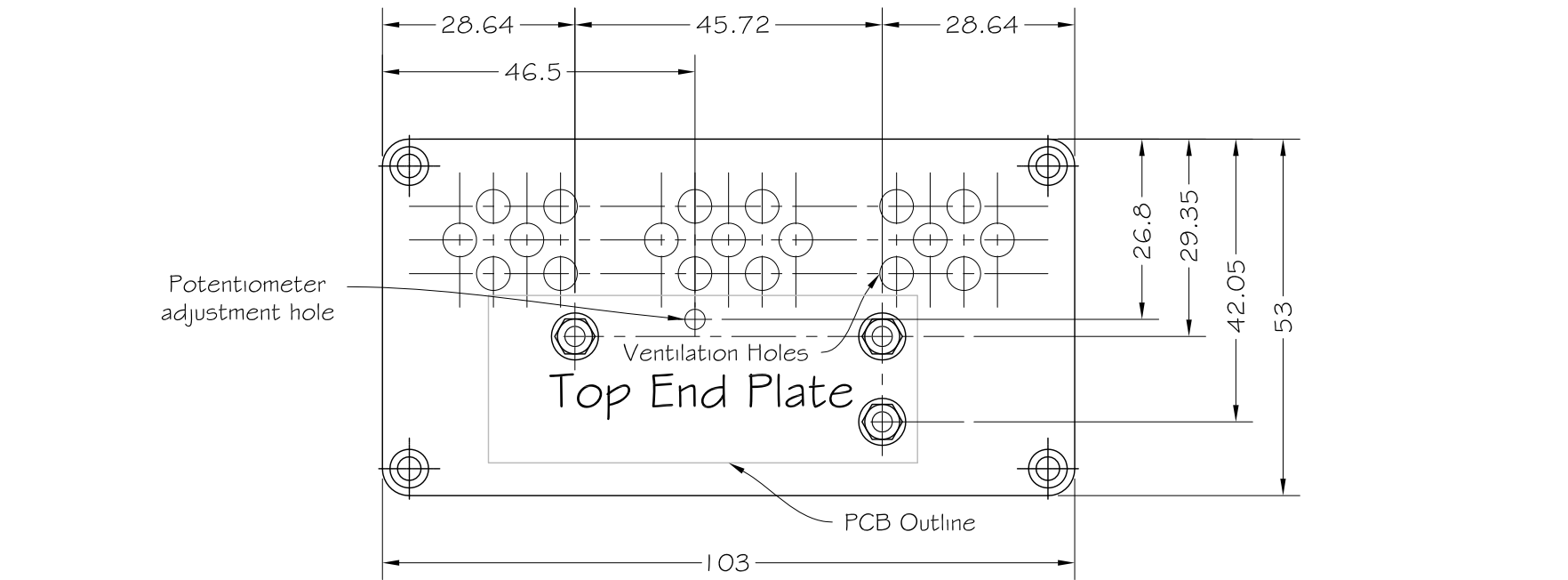
Project : Electronic DC Load
 Drawing : Heat Sink
 Summary : Back (Reversed) Template for Cut and Drill Phase
 File : Electronic DC Load.dwg



Martin J. Lorton
Solar Power and Electronic Measurement Equipment
<http://www.youtube.com/user/mjlornton/videos>
<http://mjlornton.com/wp/>

Project : Electronic DC Load
Drawing : Heat Sink
Summary : Top
File : Electronic DC Load.dwg

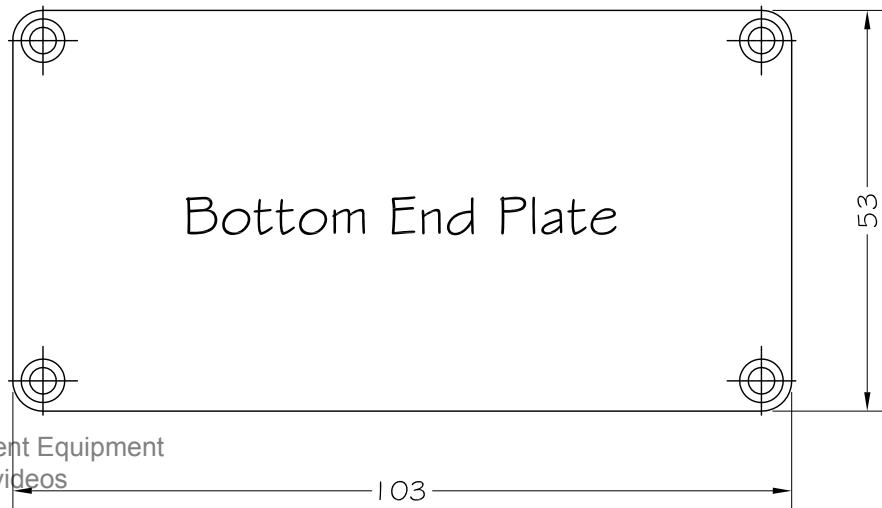
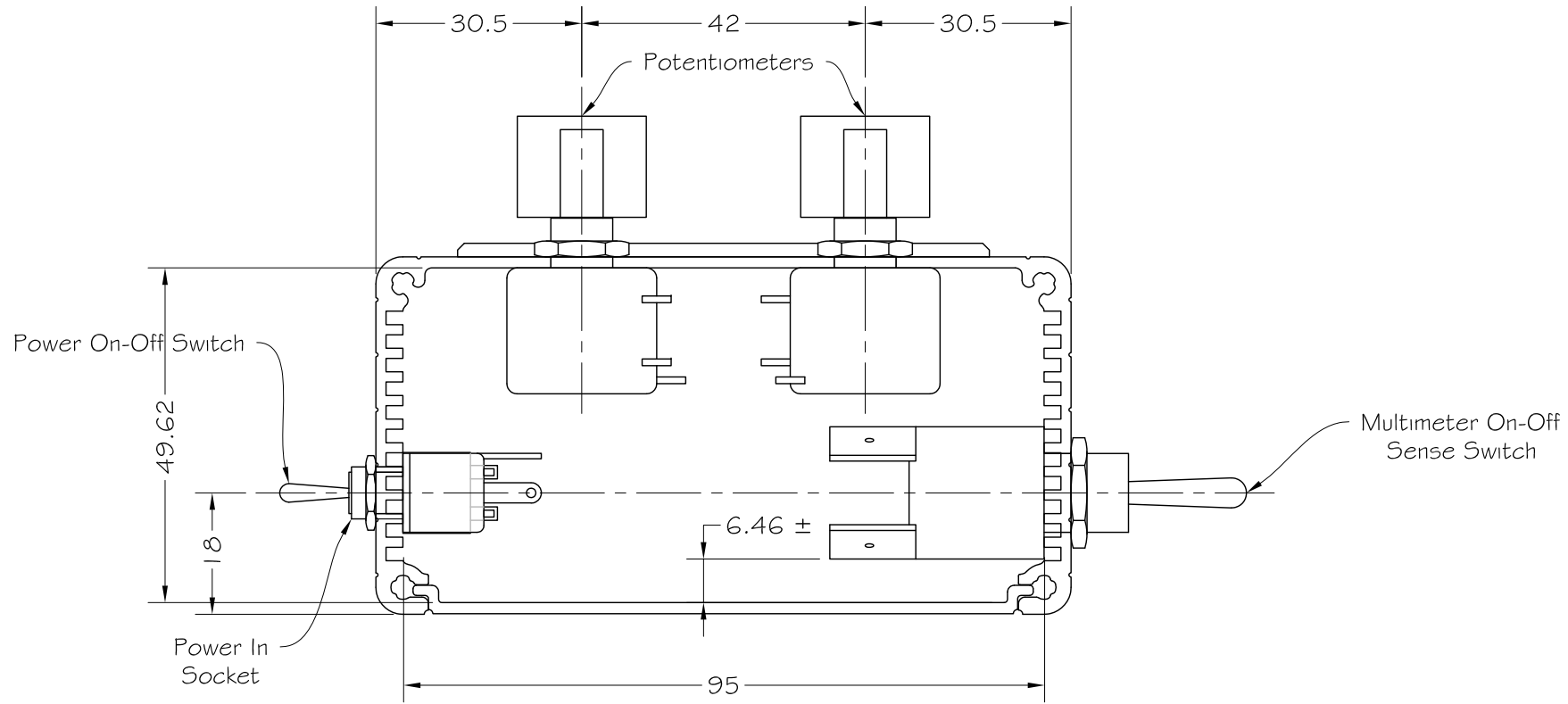
Date : 2012-11-13
Number : 0001.0
Version : b
Scale : 1 mm = 1 mm



Martin J. Lorton
 Solar Power and Electronic Measurement Equipment
<http://www.youtube.com/user/mjlornton/videos>
<http://mjlornton.com/wp/>

Date : 2012-11-13
 Number : 0001.0
 Version : b
 Scale : 1 mm = 1 mm

Project : Electronic DC Load
 Drawing : Enclosure - Top
 Summary : Details
 File : Electronic DC Load.dwg



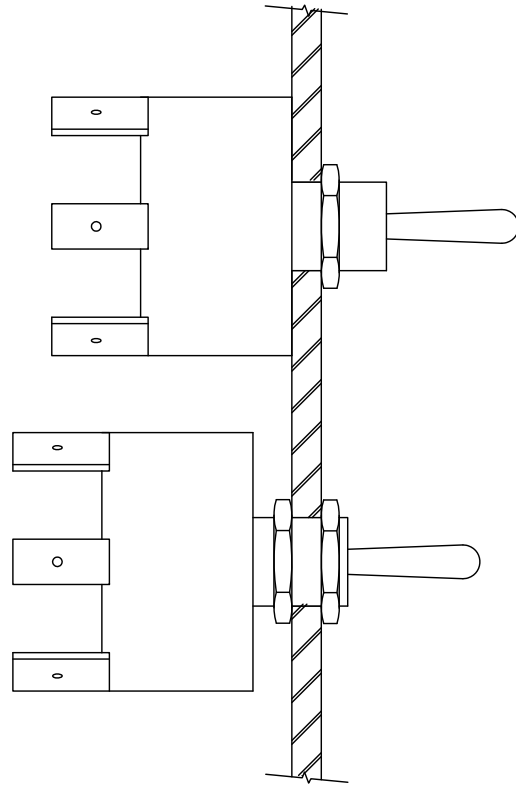
Martin J. Lorton
 Solar Power and Electronic Measurement Equipment
<http://www.youtube.com/user/mjlorton/videos>
<http://mjlorton.com/wp/>

Date : 2012-11-13
 Number : 0001.0
 Version : a
 Scale : 1 mm = 1 mm

Project : Electronic DC Load
 Drawing : Enclosure - Bottom
 Summary : Details
 File : Electronic DC Load.dwg

Detail E - A

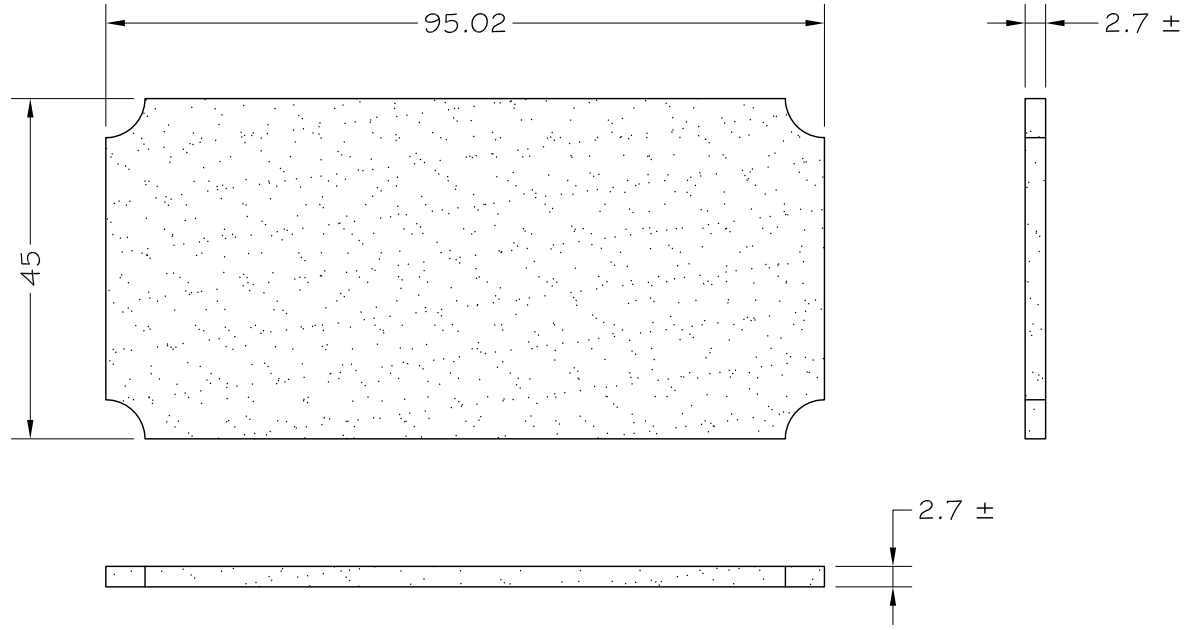
If Length of Threaded Section Allows
Clearance in Enclosure
Behind Multimeter On-Off Sense Switch
Allows Sinking Mounted Components
Using 2-Nut Mounting



Martin J. Lorton
Solar Power and Electronic Measurement Equipment
<http://www.youtube.com/user/mjlornton/videos>
<http://mjlornton.com/wp/>

Project : Electronic DC Load
Drawing : Enclosure
Summary : Assembly Details
File : Electronic DC Load.dwg

Date : 2012-11-13
Number : 0001.0
Version : a
Scale : 1 mm = 1 mm



Martin J. Lorton
Solar Power and Electronic Measurement Equipment
<http://www.youtube.com/user/mjlornton/videos>
<http://mjlornton.com/wp/>

Project : Electronic DC Load
Drawing : Enclosure
Summary : Additional Parts, Anti-skid Pad
File : Electronic DC Load.dwg

Date : 2012-11-13
Number : 0001.0
Version : a
Scale : 1 mm = 1 mm